

FXDA-A

Wiring diagram

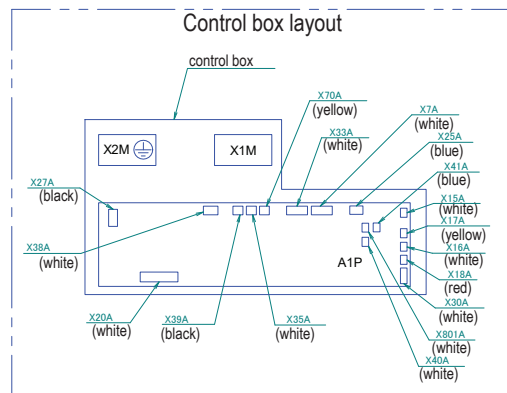
NOTES

1. : terminal block, : connector, : field wiring
2. X33A, X35A, X38A, X39A, X40A, X70A, X801A are connected when optional accessories are being used, see wiring diagram of this accessory.

WIRE COLOURS

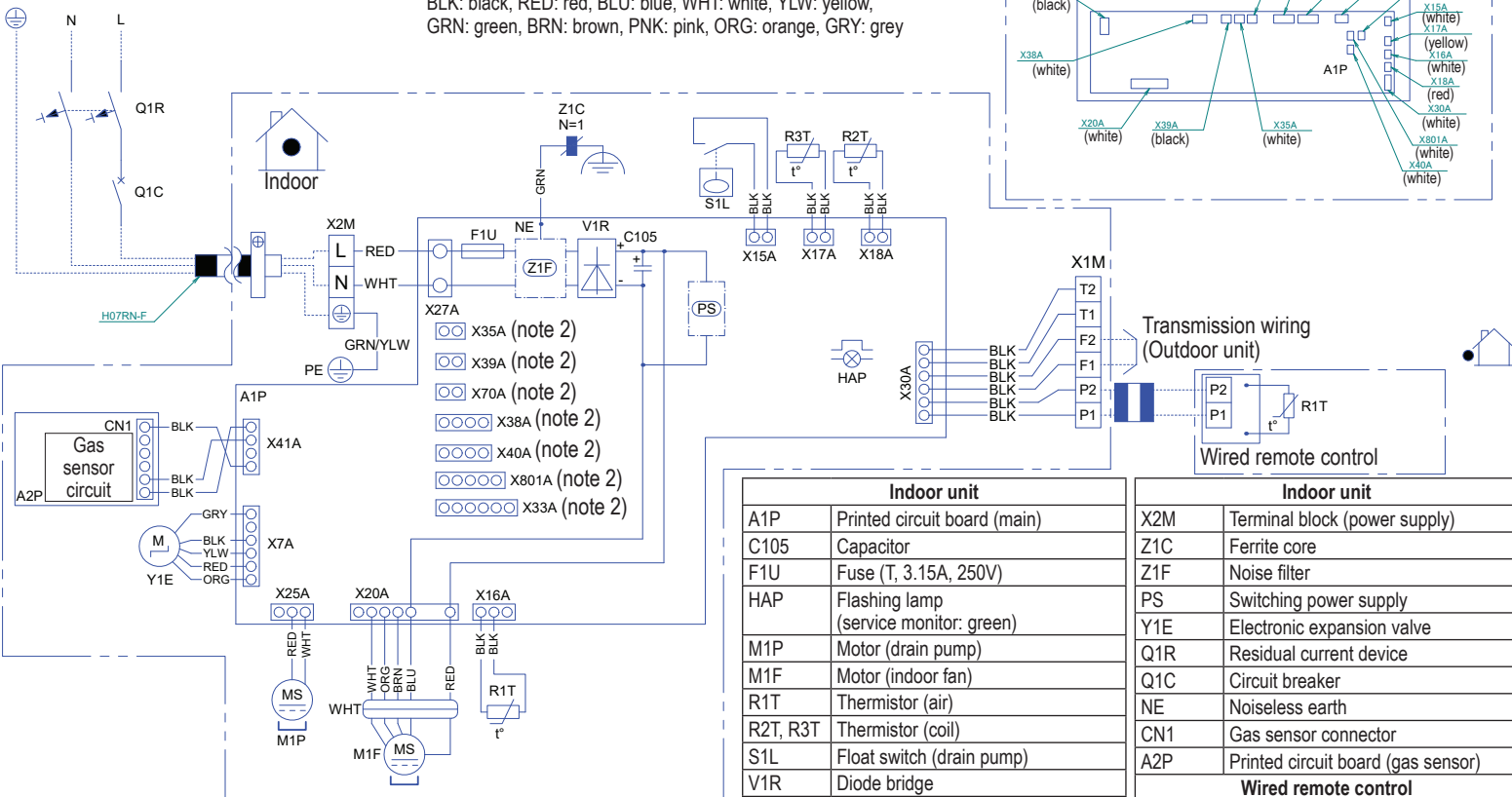
BLK: black, RED: red, BLU: blue, WHT: white, YLW: yellow, GRN: green, BRN: brown, PNK: pink, ORG: orange, GRY: grey

Control box layout



Transmission wiring (Outdoor unit)

Wired remote control



Indoor unit	
A1P	Printed circuit board (main)
C105	Capacitor
F1U	Fuse (T, 3.15A, 250V)
HAP	Flashing lamp (service monitor: green)
M1P	Motor (drain pump)
M1F	Motor (indoor fan)
R1T	Thermistor (air)
R2T, R3T	Thermistor (coil)
S1L	Float switch (drain pump)
V1R	Diode bridge
X7A-X801A	Connector
X1M	Terminal block (remote controller)

Indoor unit	
X2M	Terminal block (power supply)
Z1C	Ferrite core
Z1F	Noise filter
PS	Switching power supply
Y1E	Electronic expansion valve
Q1R	Residual current device
Q1C	Circuit breaker
NE	Noiseless earth
CN1	Gas sensor connector
A2P	Printed circuit board (gas sensor)
Wired remote control	
R1T	Thermistor (air)