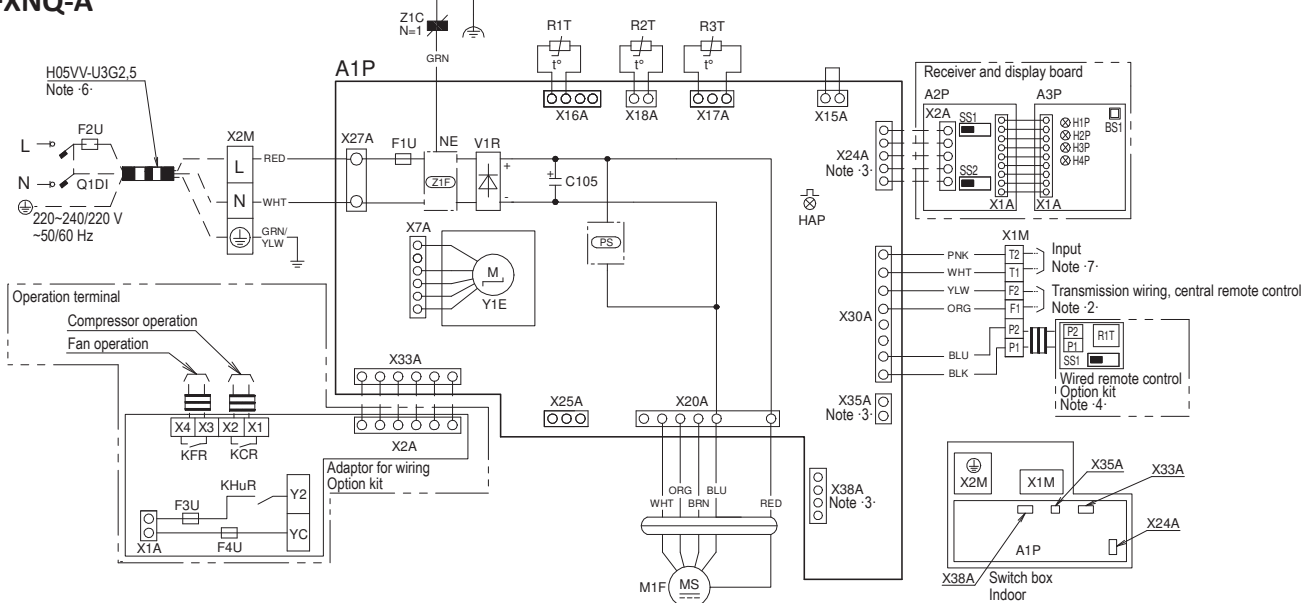


FXNQ-A



Indoor unit		Receiver and display board	
A1P	Printed circuit board	H1P	Light-emitting diode (on - red)
C105	Capacitor	H2P	Light-emitting diode (filter diagnostic - red)
(PS)	Power supply	H3P	Light-emitting diode (timer - green)
F1U	Fuse ·(T,3,15A,250V)·	H4P	Light-emitting diode (defrost - orange)
F2U	Field fuse	SS1	Select switch (main/sub)
Z1C	Ferrite core	SS2	Select switch (wireless address set)
HAP	Light-emitting diode (service monitor is green)	Connector (optional accessories)	
M1F	Motor (fan)	X24A	Connector Wireless remote control
Q1DI	Earth leakage detector	X33A	Connector Adaptor for wiring
R1T	Thermistor (air)	X35A	Connector Power supply
R2T, R3T	Thermistor (coil)	X38A	Connector Multi-tenant
V1R	Diode bridge	Adaptor for wiring	
X1M	Terminal block (control)	F3U, F4U	Fuse ·(B), 5A, 250V)·
X2M	Terminal block (power)	KFR, KCR, KHuR	Magnetic relay
Y1E	Electronic expansion valve	Wired remote control	
(Z1F)	Noise filter	R1T	Thermistor (air)
Receiver and display board		SS1	Select switch (main/sub)
A2P	Printed circuit board		
A3P	Printed circuit board		
BS1	Push button ·(ON/OFF)·		

NOTES

- : terminal block, □□, □-: connector, ■■■■■: field wiring, ·: wire clamp, ⊕: Protective earth (screw), L: Live, N: Neutral
- When using a central remote control, connect it to the unit according to the installation manual.
- X24A, X33A, X35A, X38A· are connectors for the optional accessories.
- For how to switch between the main unit and the sub units, refer to the installation manual of the remote control.
- Colours: blk:black; red:red; blu:blue; wht:white; grn:green; ylw:yellow; brn:brown; org:orange; pnk:pink; gry: grey; prp: purple
- If the piping is protected, use cable type ·H05VV-U3G2,5·. If the piping is not protected, use cable type ·H07RN-F·.
- When connecting the input wires from outside, forced OFF or On/OFF control operation can be selected by remote control. For details, refer to the installation manual.