

FXNQ-A

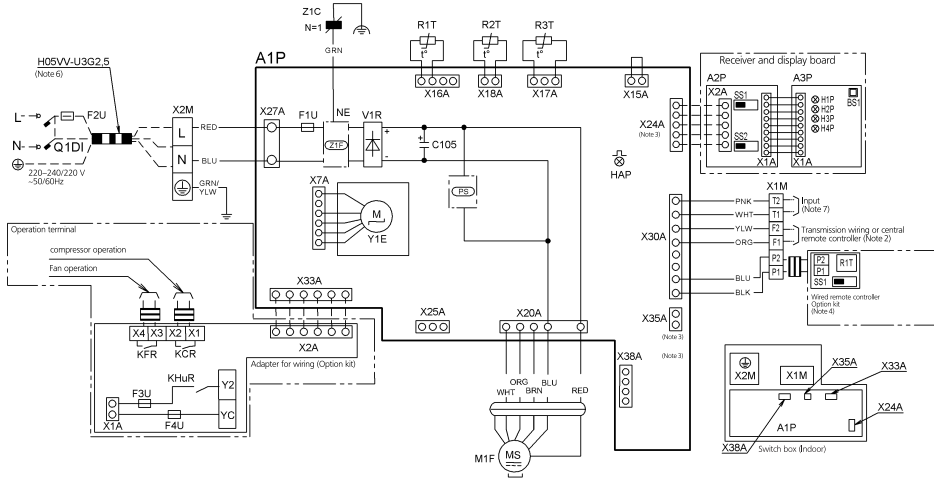
| | |
|-------------|--|
| Indoor unit | |
| A1P | : Printed circuit board |
| C105 | : Capacitor |
| F1U | : Fuse (T, 3,15A, 250V) |
| F2U | : Field fuse |
| Z1C | : Ferrite core |
| H1P | : Light emitting diode (Service monitor-green) |
| M1F | : Motor (Fan) |
| Q1DI | : Earth leakage detector |
| R1T | : Thermistor (Air) |
| R2T,R3T | : Thermistor (Coil) |
| V1R | : Diode bridge |
| X1M | : Terminal block (control) |
| X2M | : Terminal block (Upward liquid pipe connection) |
| Y1E | : Electronic expansion valve |
| Z1D | : Noise filter |

| | |
|----------------------------|--|
| Receiver and display board | |
| A2P | : Printed circuit board |
| A3P | : Printed circuit board |
| B51 | : Push button (On/Off) |
| H1P | : Light emitting diode (on-red) |
| H2P | : Light emitting diode (filter diagnostic - red) |
| H3P | : Light emitting diode (timer-green) |
| H4P | : Light emitting diode (defrost-orange) |
| S51 | : Selector switch(Main/Sub) |
| S52 | : Selector switch(Infrared address set) |

| | |
|----------------------------------|--|
| Connector (Optional accessories) | |
| X24A | : Connector (Infrared remote controller) |
| X33A | : Connector (Adapter for wiring) |
| X35A | : Connector (Power supply) |
| X38A | : Connector (Multitenant) |

| | |
|--------------------|------------------------|
| Adapter for wiring | |
| F3U,F4U | : Fuse ((B), 5A, 250V) |
| KFR, KCR, KHuR | : Magnetic relay |

| | |
|-------------------------|----------------------------|
| Wired remote controller | |
| R1T | : Thermistor (air) |
| S51 | : Select switch (MAIN-SUB) |



Notes

1. : Terminal block : Connector, : Field wiring
2. In case using central remote controller, connect it to the unit in accordance with the attached installation manual.
3. X24A, X33A, X35A, X38A are connectors for the optional accessories.
4. For how to switch between the main unit and the sub units, refer to the installation manual of the remote control.
5. Colors BLK:Black; RED:Red; BLU:Blue; WHT:White; GRN:Green; YLW:Yellow; BRN:Brown; ORG:Orange; PNK:Pink; GRY:Gray; PRP:purple
6. If the piping is protected, use cable type H05VV-U3G2,5. If the piping is not protected, use cable type H07RN-F.
7. When connecting the input wires from outside, forced OFF or ON/OFF control operation can be selected by the remote controller, see manual for detail.

- : Wire clamp
- : Protective earth (screw)
- : Line
- : Neutral