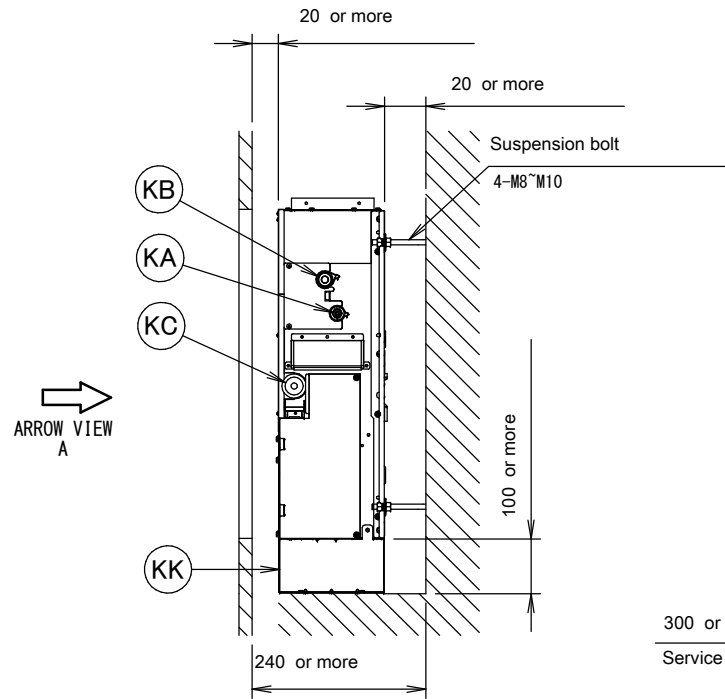
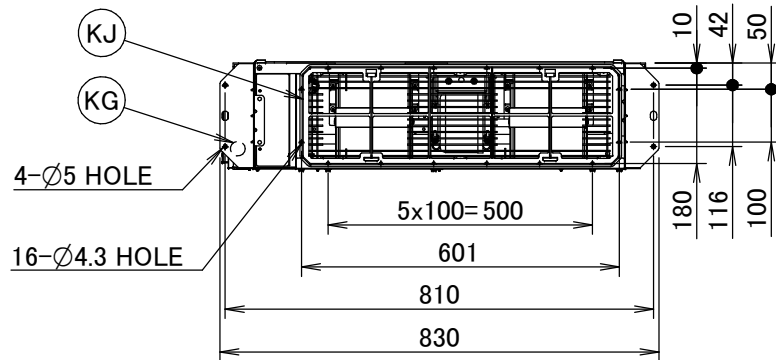
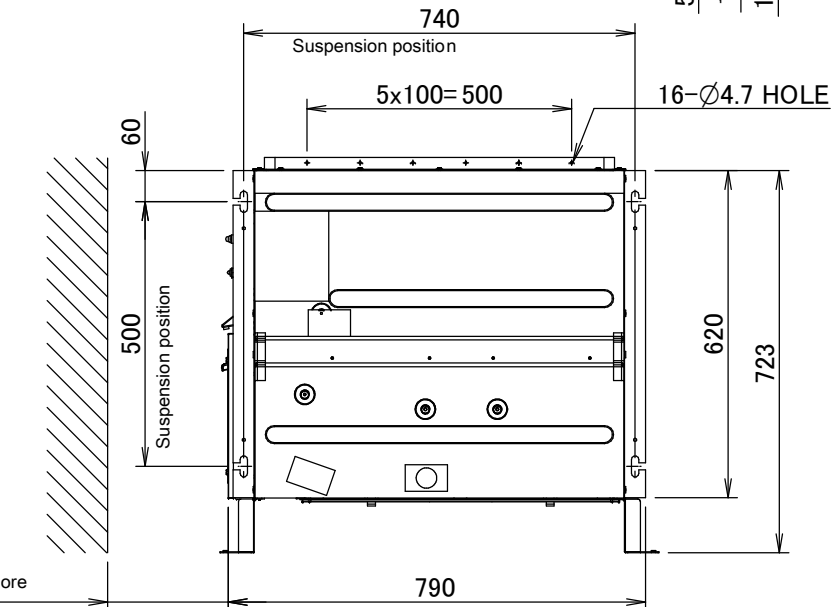
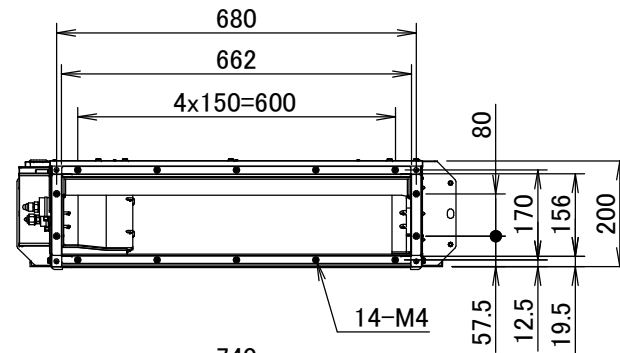


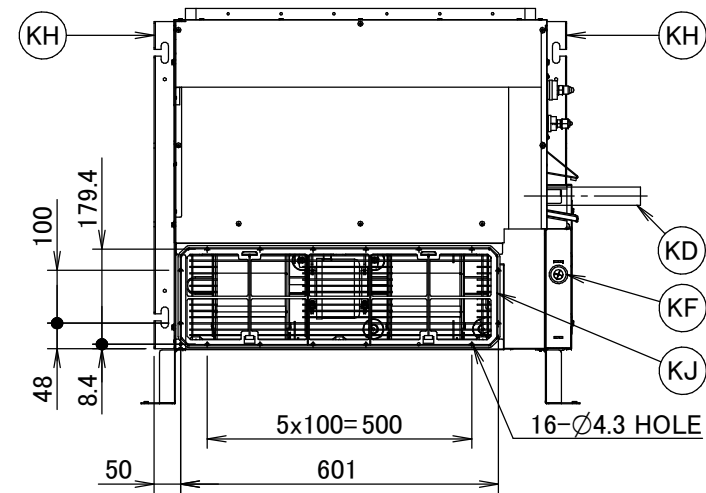
ARROW VIEW A  
Inspection door



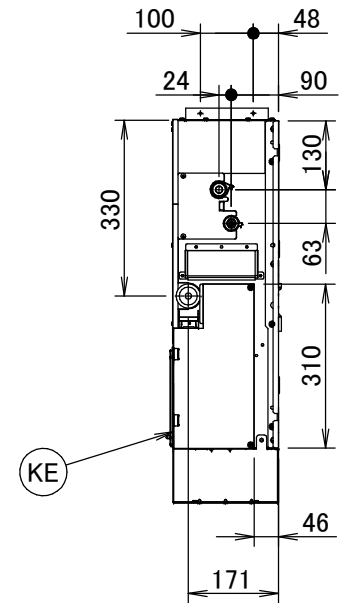
ARROW VIEW B



Bottom suction



ARROW VIEW B  
Front suction



| Item | Name                        | Description             |
|------|-----------------------------|-------------------------|
| KA   | Liquid pipe connection port | Ø6.40 flared connection |
| KB   | Gas pipe connection port    | Ø12.7 flared connection |
| KC   | Drain pipe connection       | VP20 (OD Ø26, ID Ø20)   |
| KD   | Drain hose                  | ID Ø25                  |
| KE   | Control box                 | /                       |
| KF   | Transmission line           | /                       |
| KG   | Power supply connection     | /                       |
| KH   | Suspension bracket          | /                       |
| KJ   | Air filter                  | /                       |
| KK   | Mounting foot               | /                       |

Notes

1. When installing optional accessories, refer to their respective documentation.
2. The ceiling depth varies according to the documentation of the specific system.