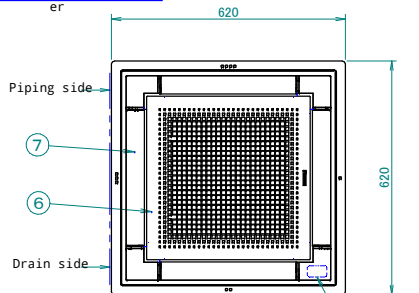


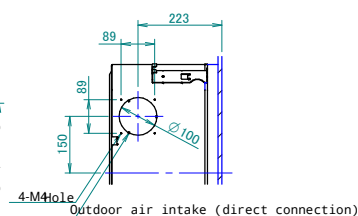
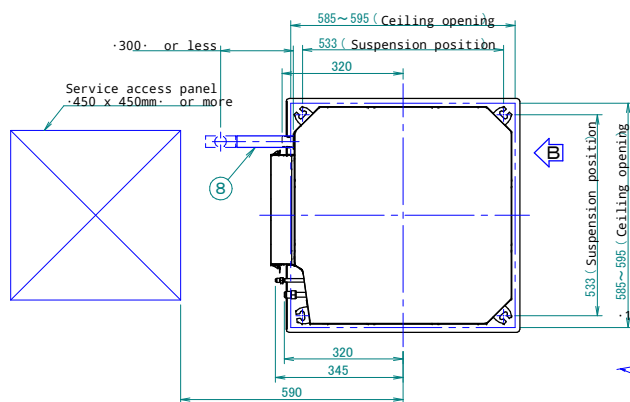
Decoration panel

BYF060C4W1W Fresh white ·N3

BYF060C4W1S B  kin silv
er

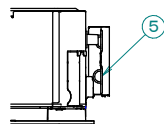
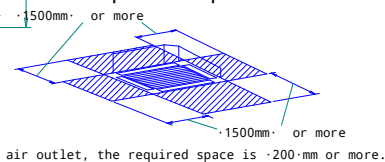


View ·A· Note ·2·

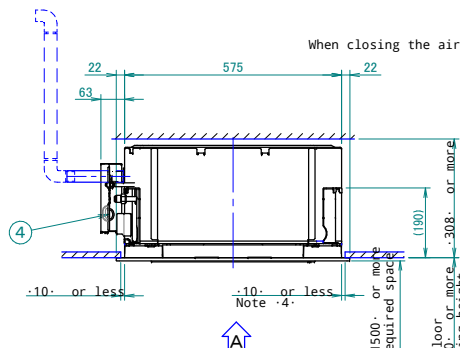
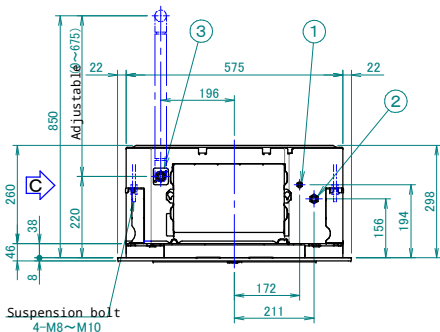


View ·B·

Required space



View ·C·



When closing the air outlet, the required space is ·200·mm or more.

Notes

1. Location of nameplate
The indoor unit nameplate is located on the bell mouth inside the suction grille.
The decoration panel nameplate is located on the inner frame inside the suction grille.
2. When installing a wireless controller, there will be a receiver on this location.
3. For details, see the drawing of the wireless controller.
If any of the following conditions are met, additional insulation (glass wool or polyethylene foam, thickness ≥10·mm) is required:
Ambient conditions in the ceiling ≥·30·°C and ·80·% relative humidity.
Fresh air is inducted into the ceiling.
The unit operates continuous
4. Though the installation is acceptable up to maximum ·595·mm square ceiling opening, keep the clearance of ·10·mm or less between the indoor unit and the ceiling opening so that the panel overlap allowance can be ensured.

Item	Part name	Item	Part name
①	Liquid pipe connection ·Ø 6.4·	⑤	Remote control wiring intake
②	Gas pipe connection ·15-32 Ø9.5·	⑥	Air discharge grille
③	Gas pipe connection ·40-50 Ø12·	⑦	Air suction grille
④	Drain outlet ·VP20· Outer: ·Ø26·	⑧	Drain hose Inner: ·Ø25·