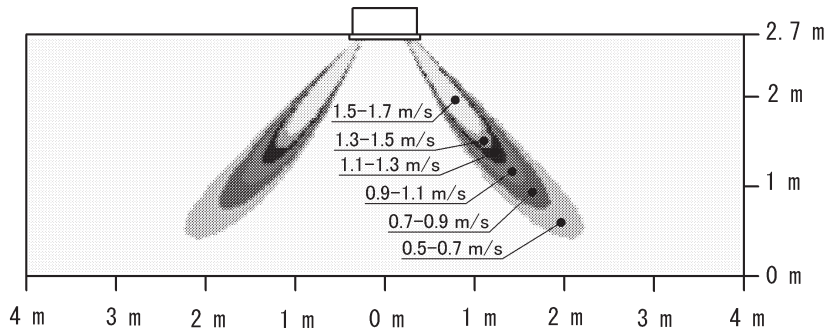


### Heating air velocity distribution

All round air discharge, air flow direction: horizontal



### Heating air temperature distribution

All round air discharge, air flow direction: horizontal

