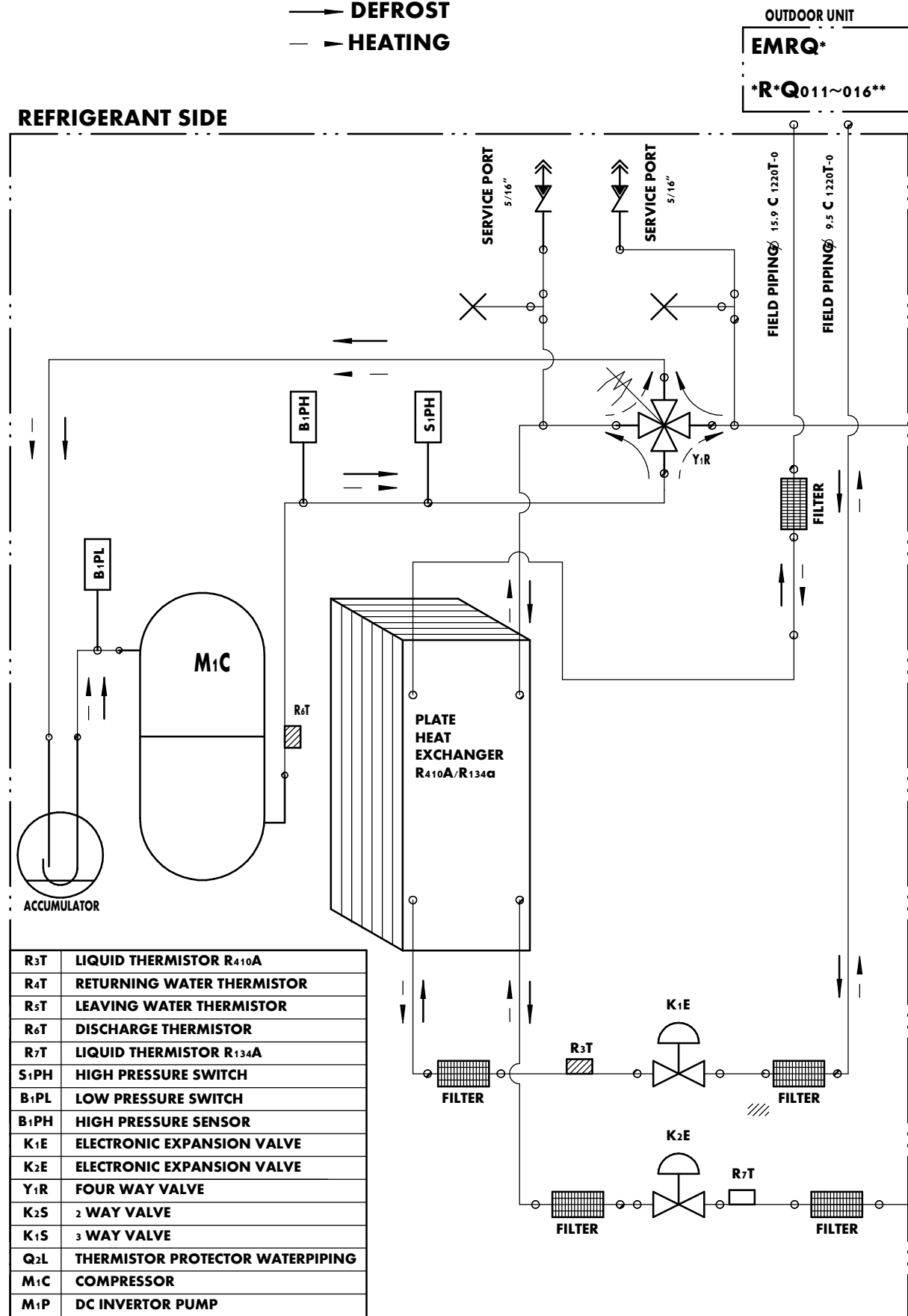


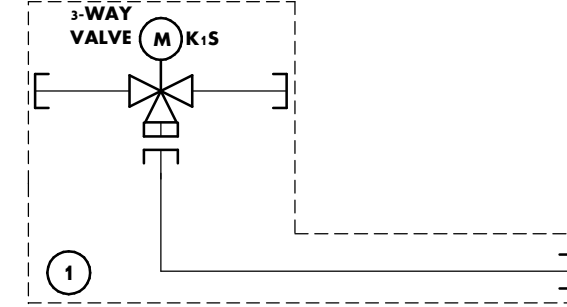
# HXHD200A8

→ DEFROST  
 - HEATING

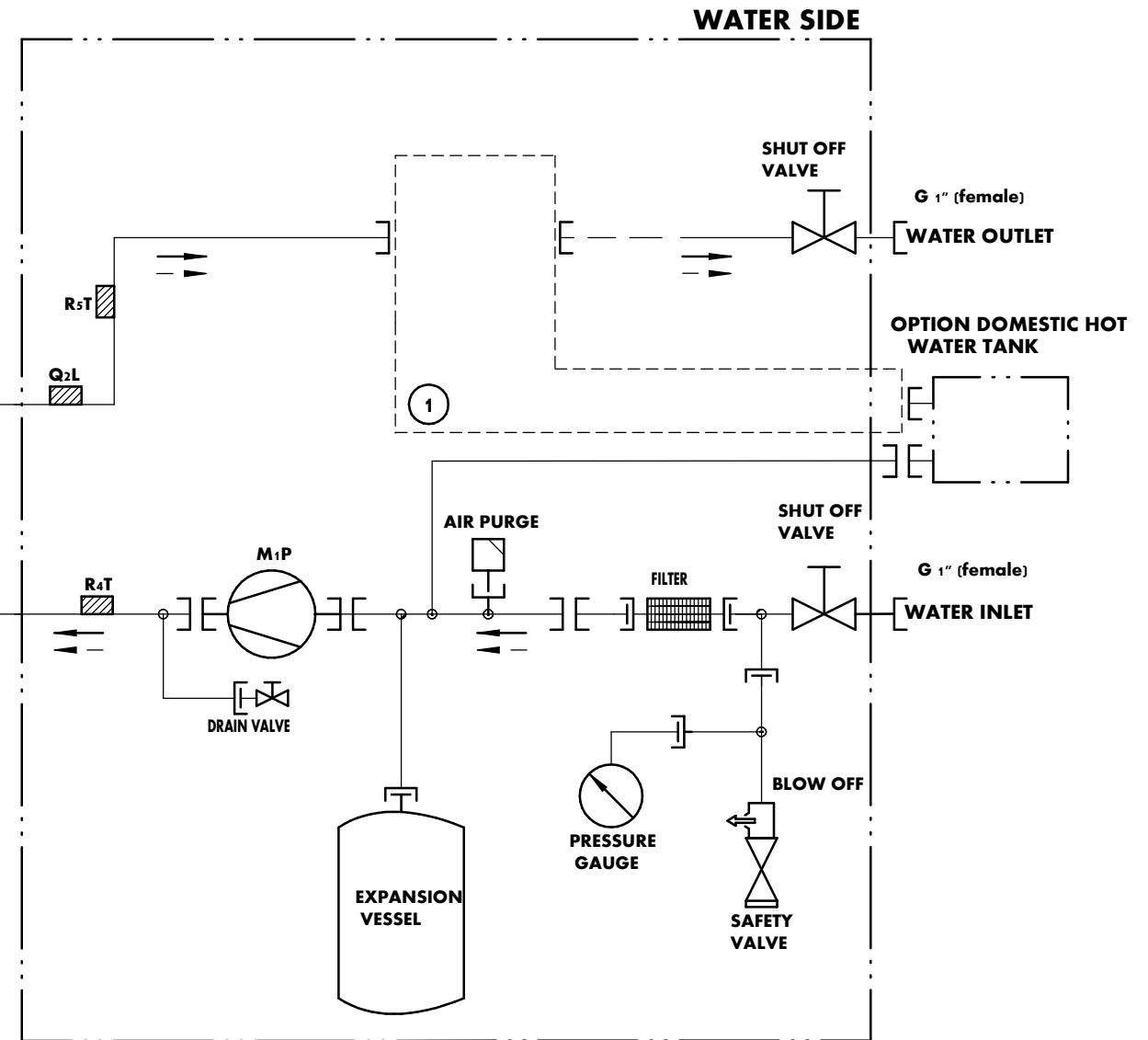
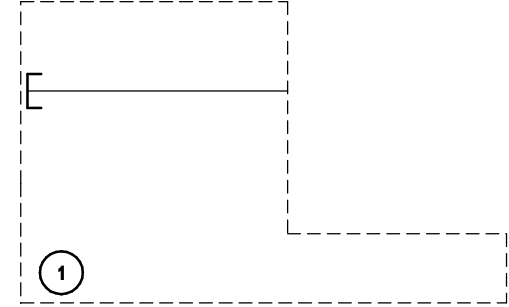


R3T	LIQUID THERMISTOR R410A
R4T	RETURNING WATER THERMISTOR
R5T	LEAVING WATER THERMISTOR
R6T	DISCHARGE THERMISTOR
R7T	LIQUID THERMISTOR R134A
S1PH	HIGH PRESSURE SWITCH
B1PL	LOW PRESSURE SWITCH
B1PH	HIGH PRESSURE SENSOR
K1E	ELECTRONIC EXPANSION VALVE
K2E	ELECTRONIC EXPANSION VALVE
Y1R	FOUR WAY VALVE
K2S	2 WAY VALVE
K1S	3 WAY VALVE
Q2L	THERMISTOR PROTECTOR WATERPIPING
M1C	COMPRESSOR
M1P	DC INVERTOR PUMP

**FIELD INSTALLATION**  
 (DELIVERED WITH OPTION DOMESTIC  
 HOT WATER TANK)



**STANDARD**



↔	CHECK VALVE	↔	FLARE CONN.	⌋	SCREW CONN.
⌋	FLANGE CONN.	×	PINCHED PIPE	→	SPINNED PIPE