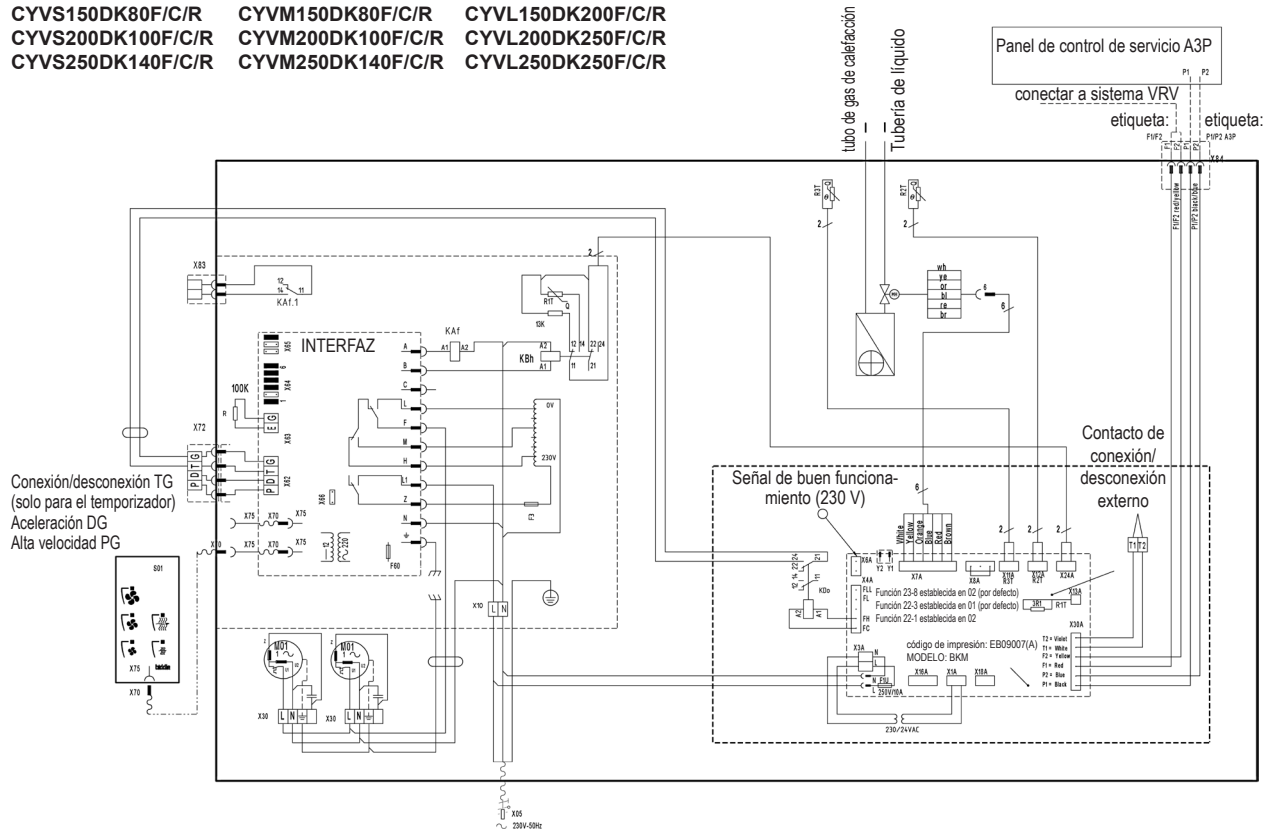


CYVS150DK80F/C/R CYVM150DK80F/C/R CYVL150DK200F/C/R
 CYVS200DK100F/C/R CYVM200DK100F/C/R CYVL200DK250F/C/R
 CYVS250DK140F/C/R CYVM250DK140F/C/R CYVL250DK250F/C/R



NOTAS

KBh, KAf, KDo = Tipo de relé Finder 46.52.8.230.0054 (230 V CA)