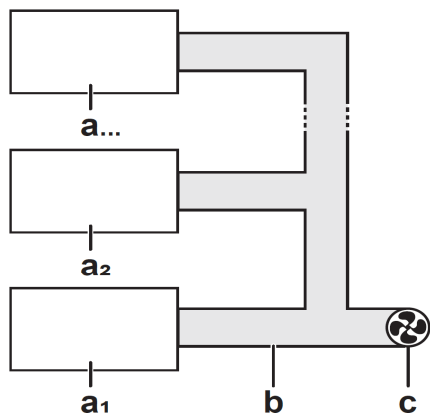


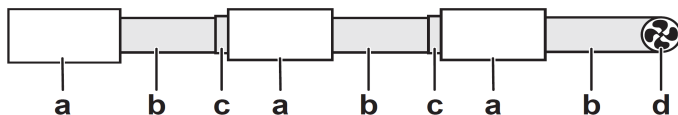
·BS· unit installation

Multiple ·BS· units in parallel – one extraction fan



- $a_{\#}$ BS unit #
- b Ductwork
- c Extraction fan

Multiple ·BS· units in series – one extraction fan



- a BS unit
- b Ductwork
- c EKBSDCK
- d Extraction fan

- VRV Xpress: see <https://vrvxpress.daikin.eu/>

- VRV Xpress: see <https://vrvxpress.daikin.eu/>