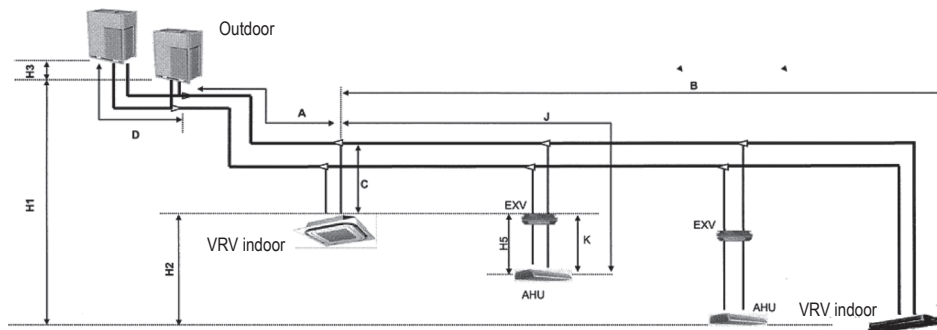


VRV4-Q Heat Pump Field Piping Restrictions (2/3)



NOTES

1. Schematic indication: illustrations may vary from real unit outlook.
2. Displayed system is only to illustrate piping length limitations ! Combination of displayed indoor unit types is not allowed. See 3D084966 for allowed combinations.

		Allowable piping length	Max. height difference
		EXV to AHU (K)	EXV to AHU (H5)
AHU connection	Pair	≤5m	5m