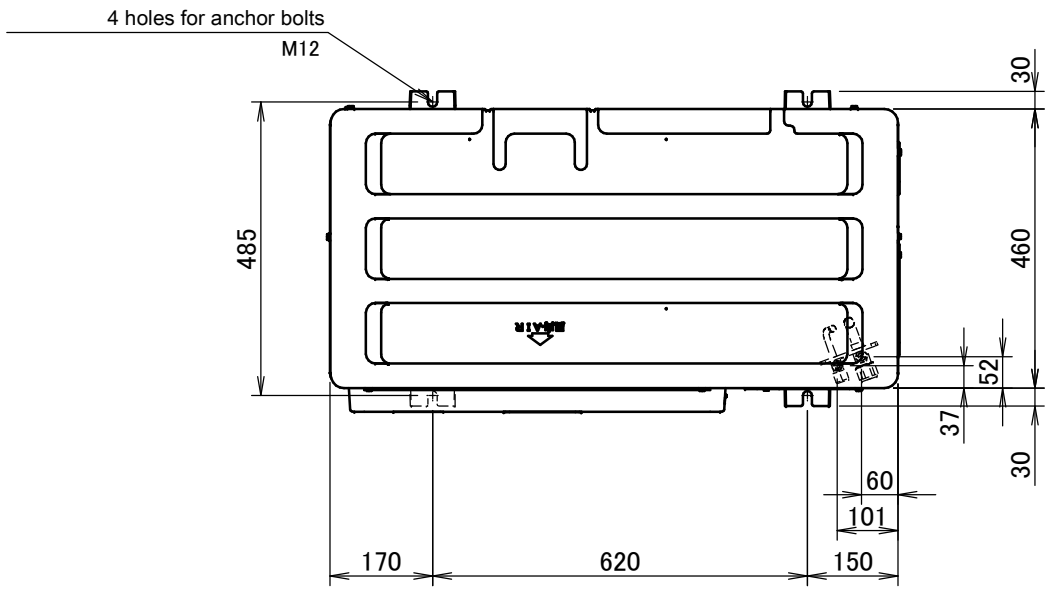


# RXYCSQ-TV1



- ① Gas pipe connection Ø15.9 flare
- ② Liquid pipe connection Ø9.5 flare
- ③ Service port (in the unit)
- ④ Grounding terminal  
Inside of the switch box (M5)
- ⑤ Refrigerant piping intake (knockout hole)
- ⑥ Power supply wiring intake (knockout hole Ø53)
- ⑦ Control wiring intake (knockout hole Ø27)
- ⑧ Drain pipe connection (outside diameter Ø26)

