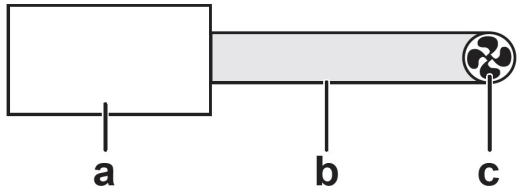


·SV· unit installation

External fan needs to be selected in order to meet these requirements. The available calculation method depends on the configuration.

Possible configurations

One ·SV· unit – one extraction fan

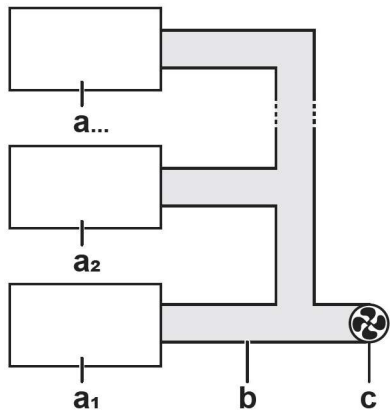


- a** SV unit
- b** Ductwork
- c** Extraction fan

Calculation method for selection of external fan

- Manual calculation: see ·SV· unit manual for details
- VRV Xpress: see <https://vrvxpress.daikin.eu/>

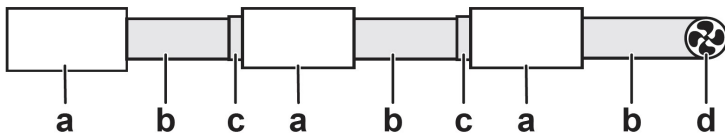
Multiple ·SV· units in parallel – one extraction fan



- a_#** SV unit #
- b** Ductwork
- c** Extraction fan

- VRV Xpress: see <https://vrvxpress.daikin.eu/>

Multiple ·SV· units in series – one extraction fan



- a** SV unit
- b** Ductwork
- c** EKBSDCK
- d** Extraction fan

- VRV Xpress: see <https://vrvxpress.daikin.eu/>