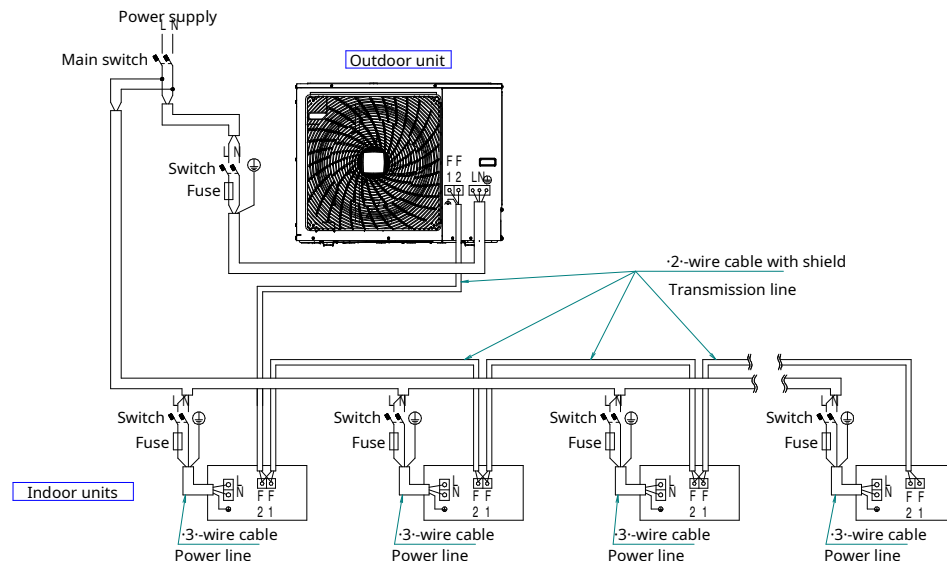


External connection diagram

·VRV· indoor unit



Notes

1. All wiring, components and materials to be procured on-site must comply with the applicable legislation.
2. Use copper conductors only
3. For more details, refer to the wiring diagram of the unit.
4. Install a circuit breaker for safety.
5. All field wiring and components must be provided by an authorised electrician.
6. Unit has to be grounded in compliance with the applicable legislation.
7. The wiring shown is a general points-of-connection guide and is not intended to include all details for a specific installation.
8. Make sure to install the switch and the fuse to the power line of each equipment.
9. Install a main to switch to (if necessary) immediately interrupt all the system's power sources.
10. Install an earth leakage circuit breaker.
11. To ensure proper earthing, connect the shields of the incoming and outgoing transmission wiring of each indoor unit to each other.
12. The unit is equipped with a refrigerant leak detection system for safety.
To be effective, the unit **MUST** be electrically powered at all times after installation, except for maintenance.