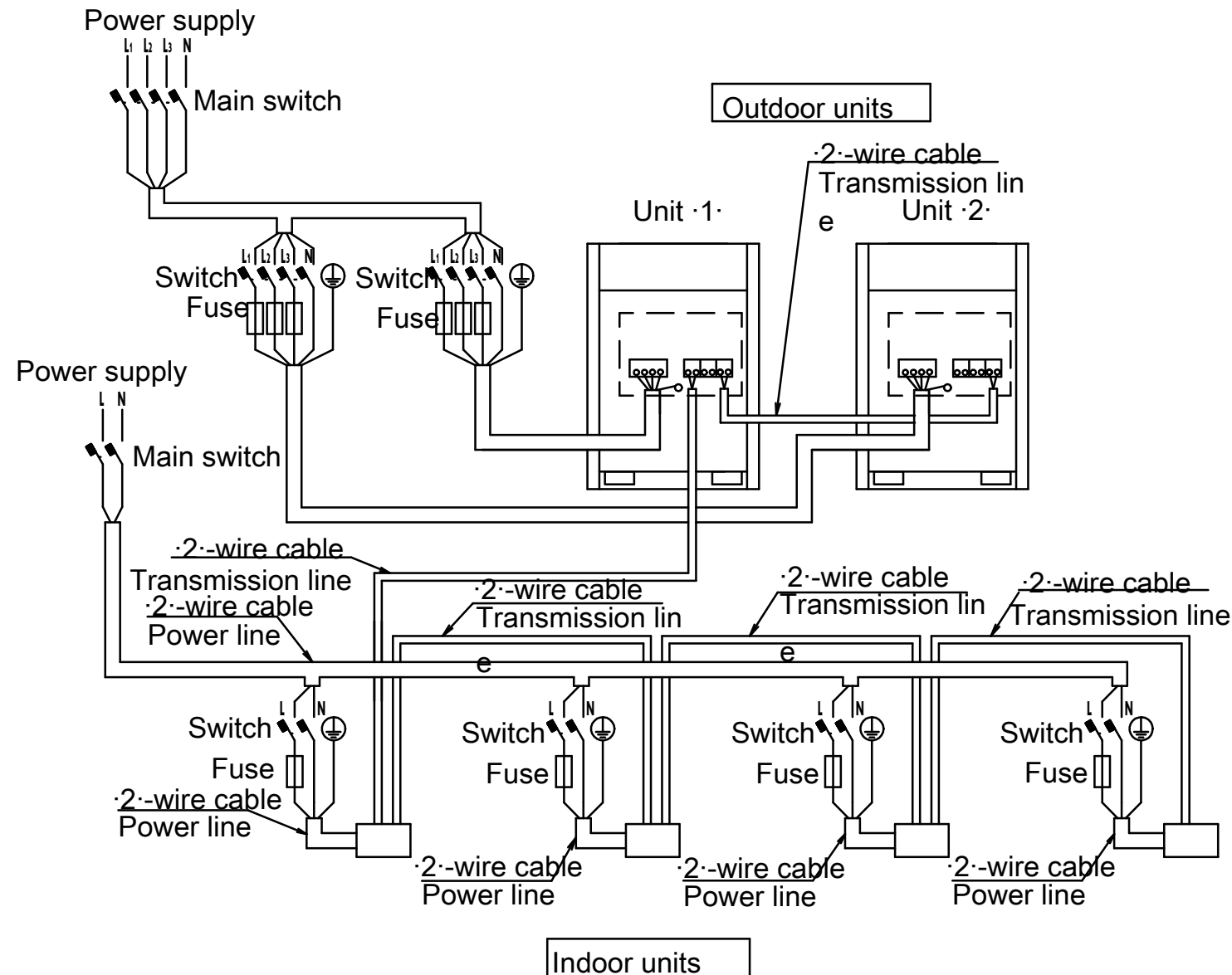


**RXYQQ8-20U**  
**RXYQ8-20U**  
**RXYTQ8-16U**  
**RYYQ8-20U**  
**RYMQ8-26U**

Notes

1. All wiring, components and materials to be procured on-site must comply with the applicable legislation.
  2. Use copper conductors only
  3. For details, refer to the wiring diagram attached to the outdoor unit.
  4. Install a circuit breaker for safety.
  5. All field wiring and components must be provided by an authorised electrician.
  6. Unit has to be grounded in compliance with the applicable legislation.
  7. The wiring shown is a general points-of-connection guide and is not intended to include all details for a specific installation.
  8. Make sure to install the switch and the fuse to the power line of each equipment.
  9. Install a main switch to control the multiple power sources that the various components of the system make use of.
  10. The capacity of UNIT1 must be larger than that of UNIT2 when the power source is connected in series between the units.
  11. If there exists the possibility of reversed phase, loose phase or momentary blackout, or if the power goes on and off while the product is operating, attach a reversed phase protection circuit locally.
- Running the product in reversed phase may break the compressor and other parts.
12. Install an earth leakage circuit breaker.

Power source is supplied to each outdoor unit individually.



Power source is connected in series between the units.

