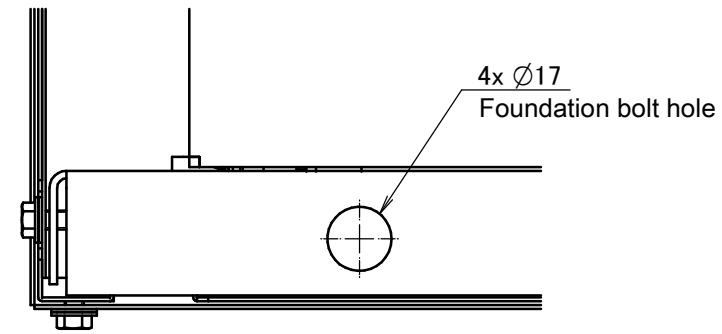
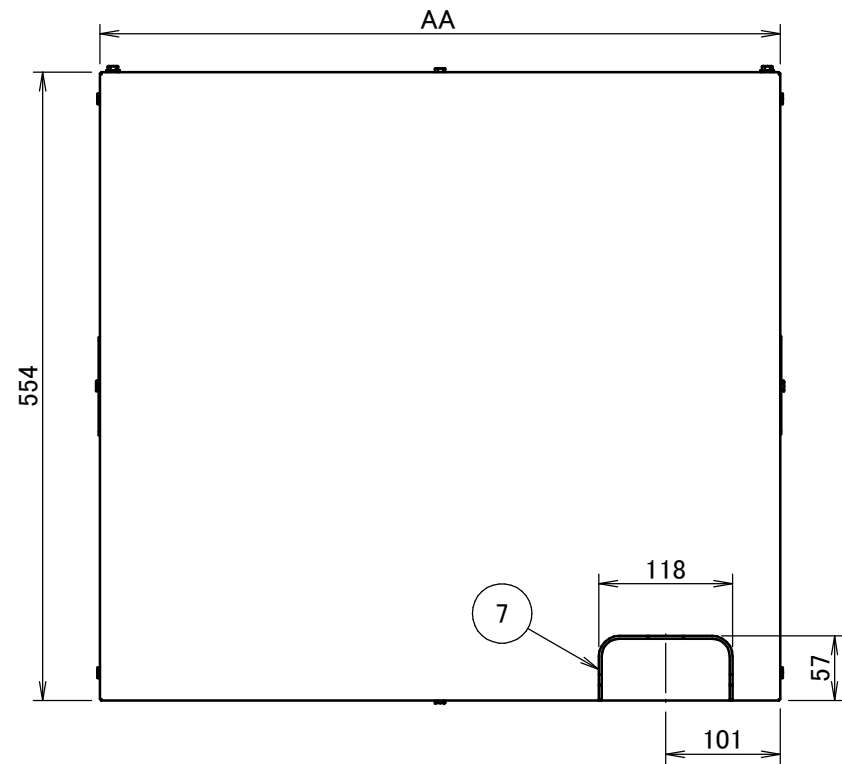
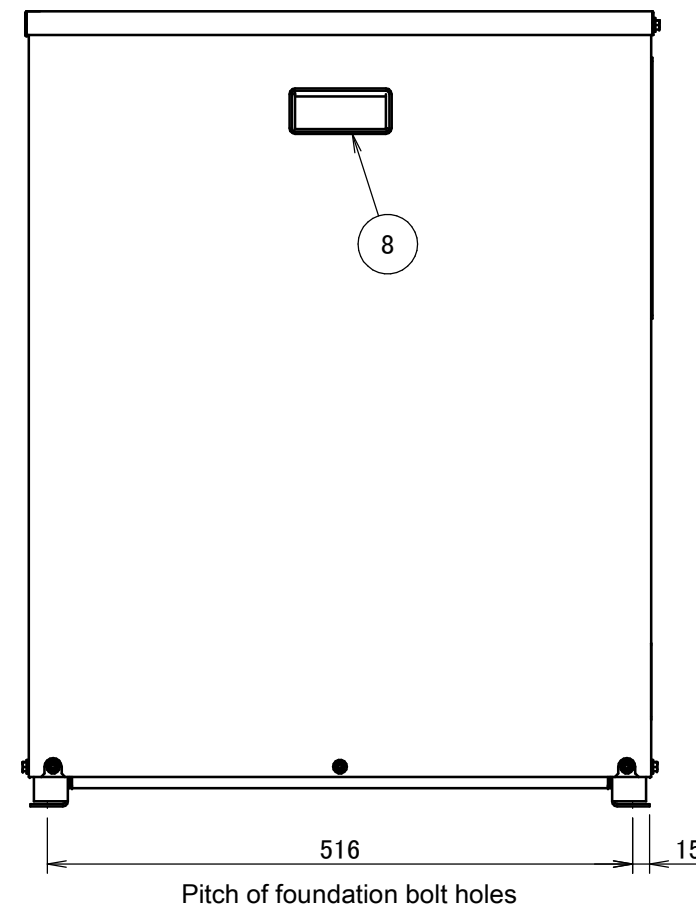
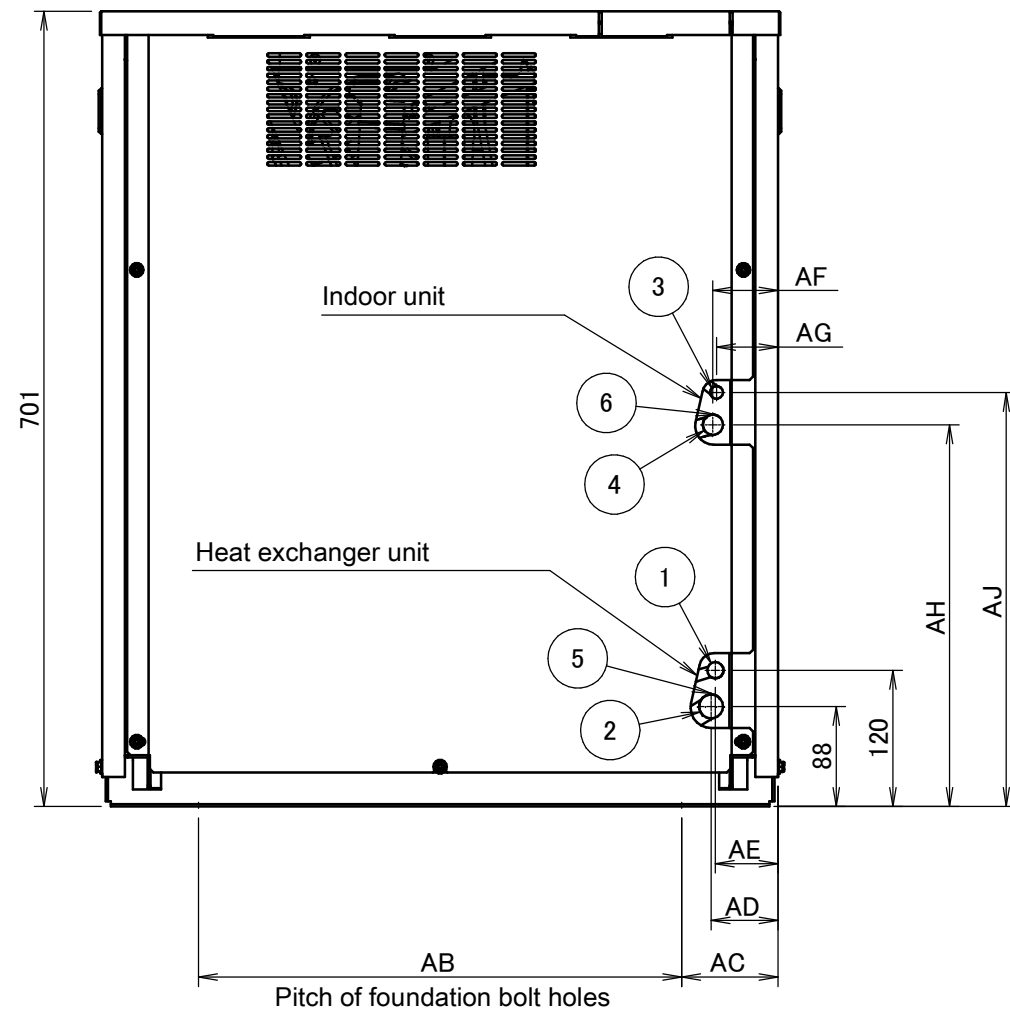


# RKXYQ-T



View A

Model	AA	AB	AC	AD	AE	AF	AG	AH	AJ
RKXYQ5T	600	426	85	59	55	57	54	337	365
RKXYQ8T	760	600	78	55	52	55	52	197	222



### Notes

#### 1. Indoor unit

RKXYQ5T : Ø 15.9 brazing connection  
 RKXYQ8T : Ø 19.1 brazing connection

#### 2. Heat exchanger unit

RKXYQ5T : Ø 19.1 brazing connection  
 RKXYQ8T : Ø 22.2 brazing connection

A ↑

No.	Part name	Remark
8	Handle	
7	Pipe routing hole	Knockout hole.
6	Wiring intake (low voltage wiring)	Transmission wiring connection
5	Wiring intake (high voltage wiring)	Power supply connection
4	Gas pipe connection port	See note 1.
3	Liquid pipe connection port	Ø 9.5 brazing connection
2	Gas pipe connection port	See note 2.
1	Liquid pipe connection port	Ø 12.7 brazing connection
No.	Part name	Remark

3D098827A