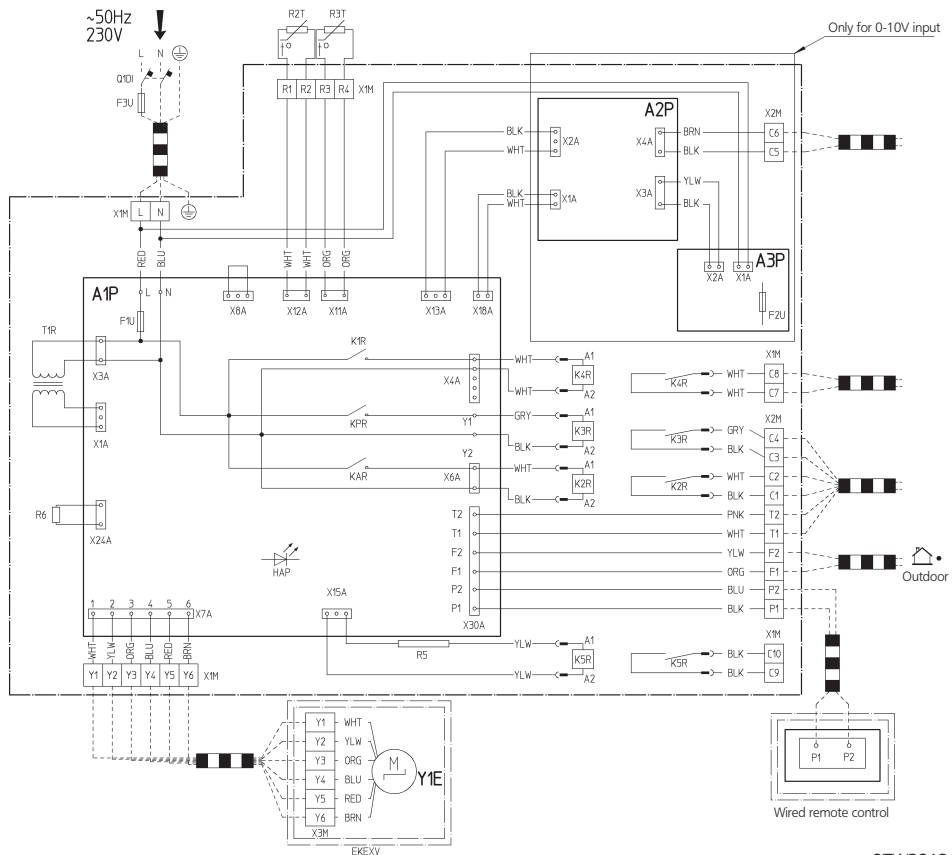
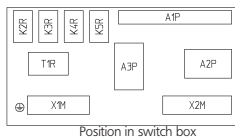


EKEQFCB

- A1P : Printed circuit board
- A2P : Printed circuit board (for voltage conversion)
- A3P : Printed circuit board (Power supply)
- F1U : Fuse (250V, F5A) (A1P)
- F2U : Fuse (250V, T1A) (A3P)
- F3U : Field fuse
- HAP : Light emitting diode (service monitor green)
- K2R : Magnetic relay (error status) AC
- K3R : Magnetic relay (Operation / Compressor ON/OFF) AC
- K4R : Magnetic relay (Fan) AC
- K5R : Magnetic relay (Defrost signal) DC
- K1R, KAR, KPR : Magnetic relay
- Q1D1 : Earth leakage breaker
- R5 : Resistance (DC 120 OHM)
- R6 : Capacity adaptor
- R2T : Thermistor (Liquid)
- R3T : Thermistor (Gas)
- T1R : Transformer (220V/21.8V)
- X1M : Terminal block
- X2M : Terminal block
- X3M : Terminal block
- Y1E : Electronic expansion valve
- X1M-R1/R2 : Thermistor Liquid
- X1M-R3/R4 : Thermistor Gas
- X1M-Y1-6 : Expansion valve
- X2M-P1/P2 : Communication remote control
- X2M-C1/C2 : Output: error status
- X2M-C3/C4 : Output: Operation / Compressor ON/OFF
- X2M-C5/C6 : Input: 0-10V DC capacity control
- X1M-C7/C8 : Output: Fan ON/OFF
- X1M-C9/C10 : Output: Defrost signal
- X2M-F1/F2 : Communication outdoor
- X2M-T1/T2 : Input: ON/OFF

- 1 Use copper conductors only.
- 2 BLK: Black / WHT: White / RED: Red / BLU: Blue / BRN: Brown / GRY: Grey / GRN: Green / ORG: Orange / PINK: Pink / YLW: Yellow

- L : Live
- N : Neutral
- ⊞ → : Connector
- : Wire clamp
- ⊕ : Protective earth (Screw)
- : Separate component
- ≡ : Optional accessory
- ⊞⊞⊞ : Field wiring



EKE XV