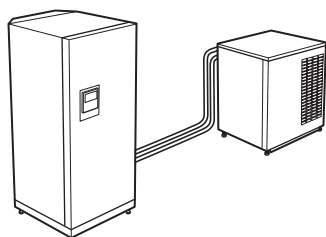


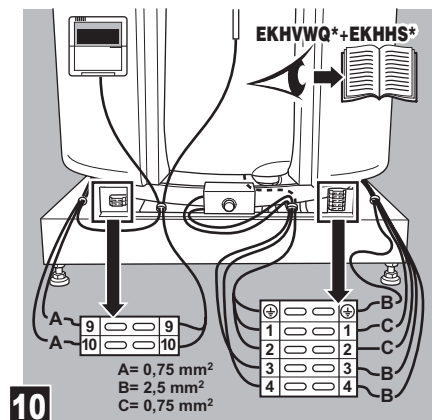
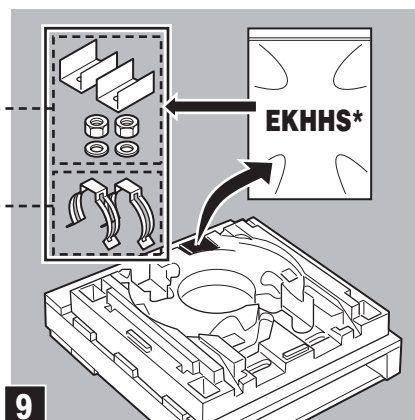
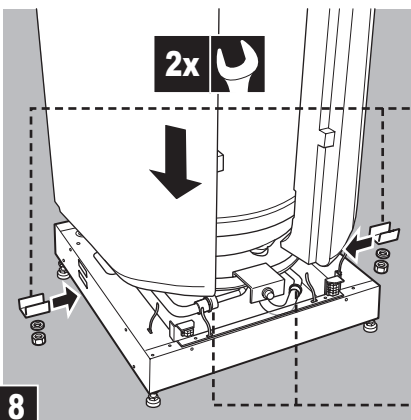
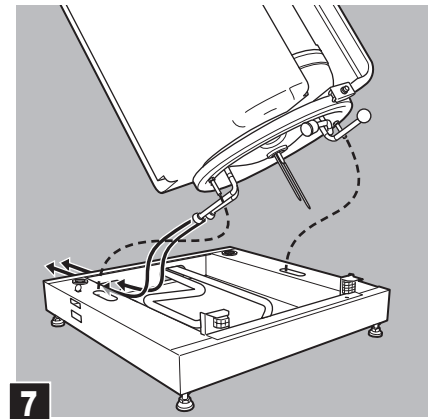
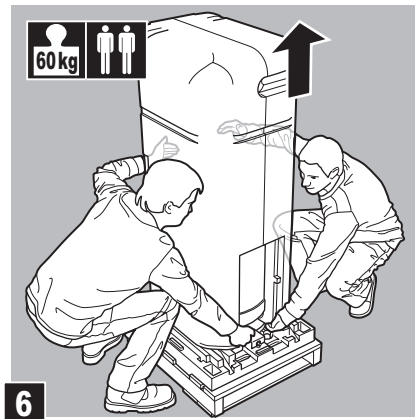
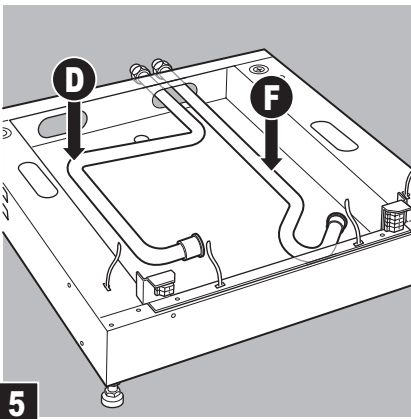
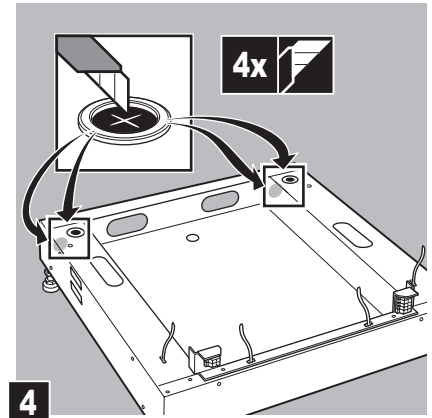
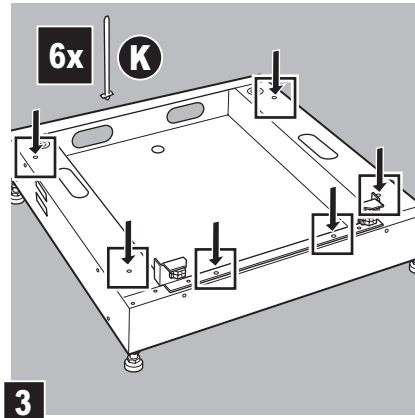
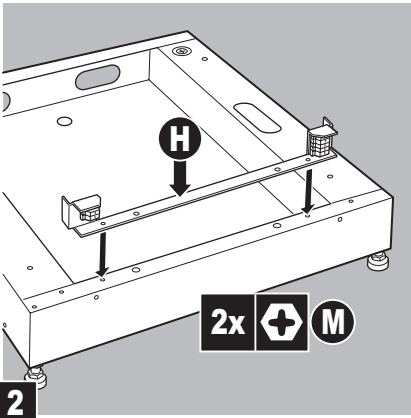
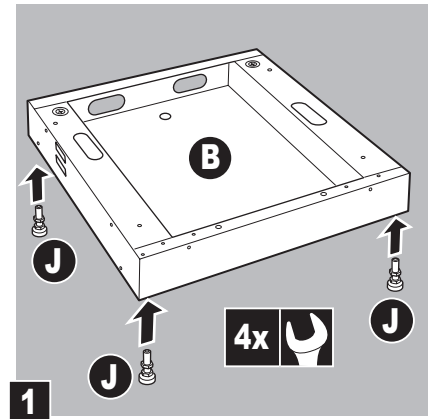
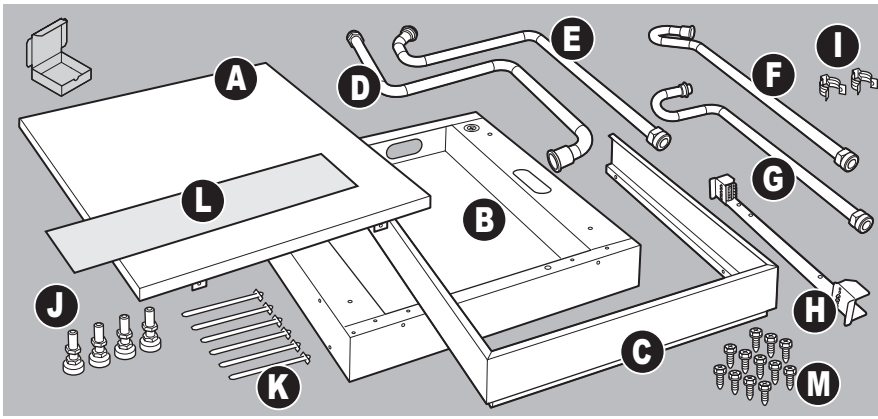


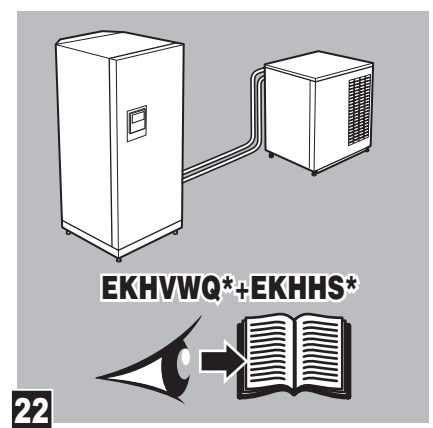
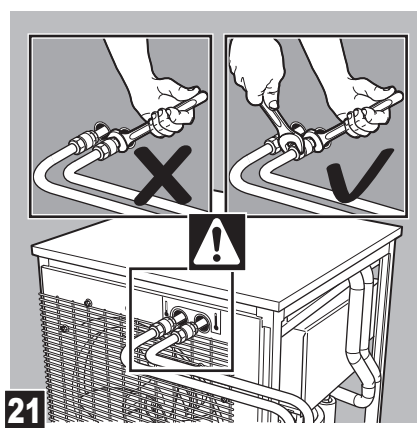
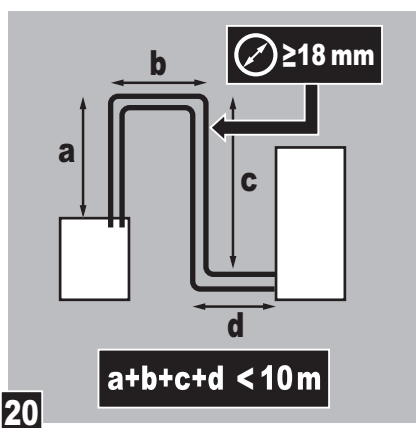
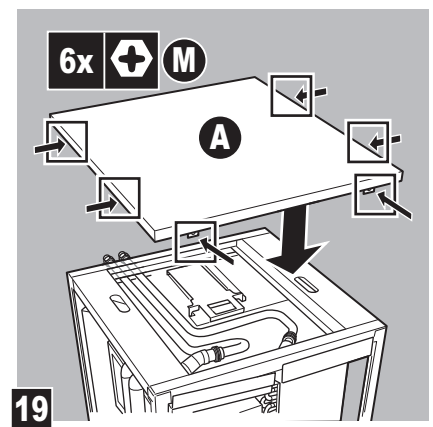
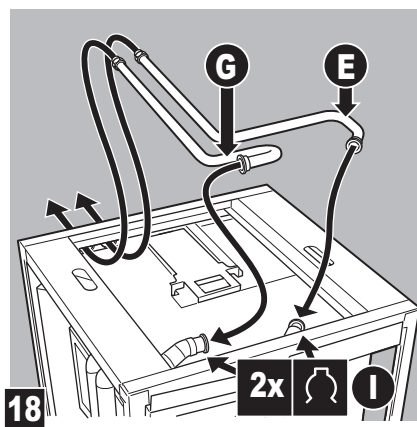
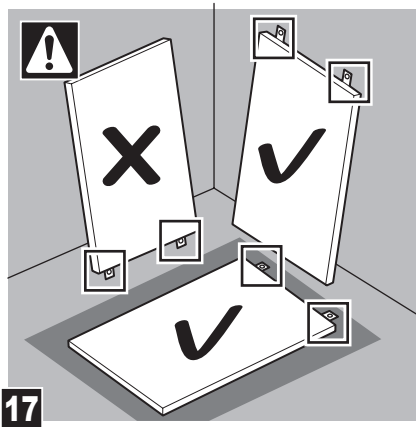
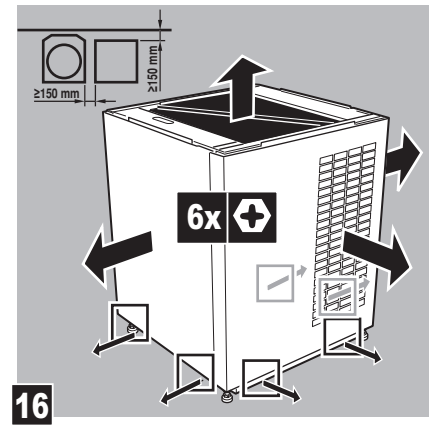
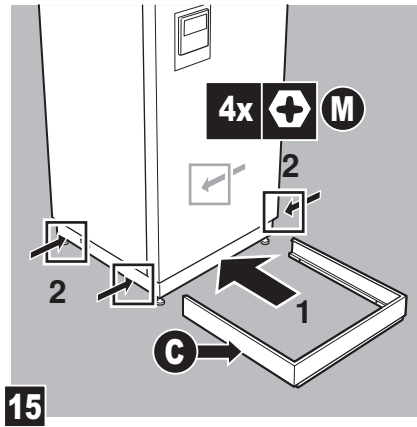
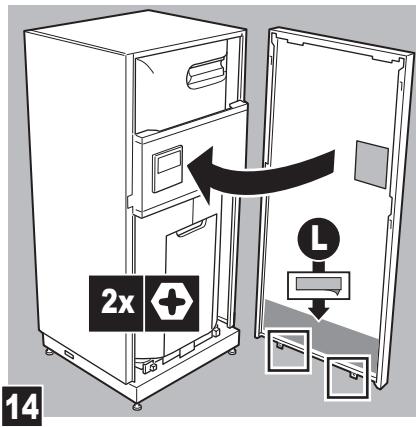
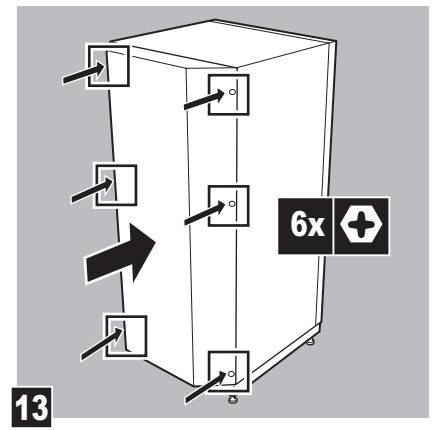
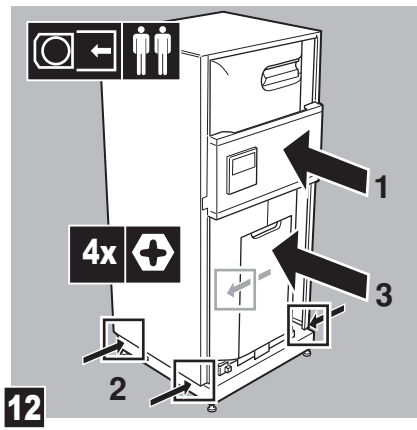
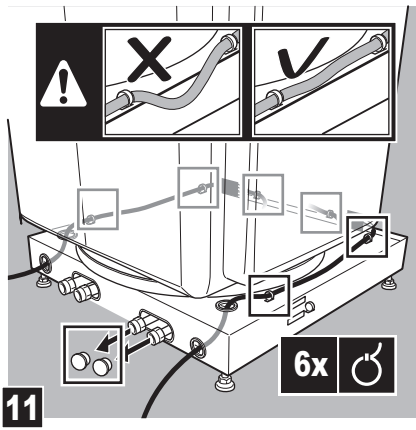
# INSTALLATION MANUAL

## Floor standing kit for EKHHS domestic hot water tank



**EKFMHSA**





The English text is the original instruction. Other languages are translations of the original instructions.

Thank you for purchasing this EKFMHHSAA optional kit.

This kit allows stand alone installation for the EKHHS domestic hot water tank.

Basic information about the system layout and installation can be found in the installation manual of the EKHVWQ+EKHHS.

This installation manual contains complementary information and remarks to install the domestic hot water tank next to the unit instead of on top of the unit.

**Water piping**



**CAUTION**

- Field water pipes must be suitable for use with drinking water in accordance with applicable legislation.
- Field water piping must be insulated to restrict heat losses.



**NOTICE**

To avoid excessive pressure drop and maintain correct unit operation take following items into account:

- The maximum piping length has to be less than 10 m (maximum 4 bends in one way).
- The minimal internal diameter must be 18 mm.
- Refer to the installation manual of the EKHVWQ+EKHHS for minimum required water flow.

**Electrical wiring**

Selection and sizing of the wiring must be done in accordance with the applicable legislation based on the information mentioned in the table below.

Refer to figure 10 on page 1.

Item	Description		Required number of conductors	Maximum running current
<b>A</b>	LV	Domestic hot water tank thermistor	2	Minimum cable section 0.75 mm <sup>2</sup>
<b>B</b>	HV	Domestic hot water tank heater	2+GND	Minimum cable section 2.5 mm <sup>2</sup>
<b>C</b>	HV	Domestic hot water tank safety signal	2	Minimum cable section 0.75 mm <sup>2</sup>

HV = High voltage  
LV = Low voltage



**NOTICE**

The maximum electrical wire length has to be less than 10 m (one way).

