

2P278019A

第3角法 3RD ANGLE PROJECTION

適合規格欄

冷媒圧ワ受 ケナイ部品	①
DP2.8	1
DP3.3	2
DP4.14	3
ソノ他圧力	9

- 注) 1. 紙ノ大キサハ420×297(A3サイズ)トスル。
 2. 版下提供有トスル。
 3. 色ハ全テ黒色トスル。
 4. 左上部タイトルガ見エル様ニ四ツ折ニシテ納入ノコト。

部品番号 ITEM NO.	部品管理記号 ITEM MARK	図面番号 DWG. NO.	※一式 分個数 QUANT.	名称 PART NAME	材質 MATERIAL	記事 REMARK	補用
1	A	本図ニヨル THIS DWG	1	取付説明書 INSTALLATION MANUAL	上質紙	55kg/連	

Daikin Air Conditioners Fresh Air Intake Kit Installation manual

KDDQ50A140 READ THESE INSTRUCTIONS CAREFULLY BEFORE INSTALLATION. 2P278019-1A

Caution • This kit can be installed on ceiling suspended type air conditioners.
• A duct (normal diameter $\phi 100$) is required to use this kit.

- Follow the local code or regulation to install the duct.
- Where it contact the outside air, make sure to install air filter to protect heat exchanger for indoor unit.
- In case that metal duct is penetrated through wooden wall, make sure the duct and the wall are electrically insulated.
- At the outdoor side, install the duct inclined downwardly so that the rain will not get into the duct. (Inclination 1/100 - 1/50)
- Where it contact the outside air, make sure to install screen to avoid birds, small animals or insects getting inside the duct.

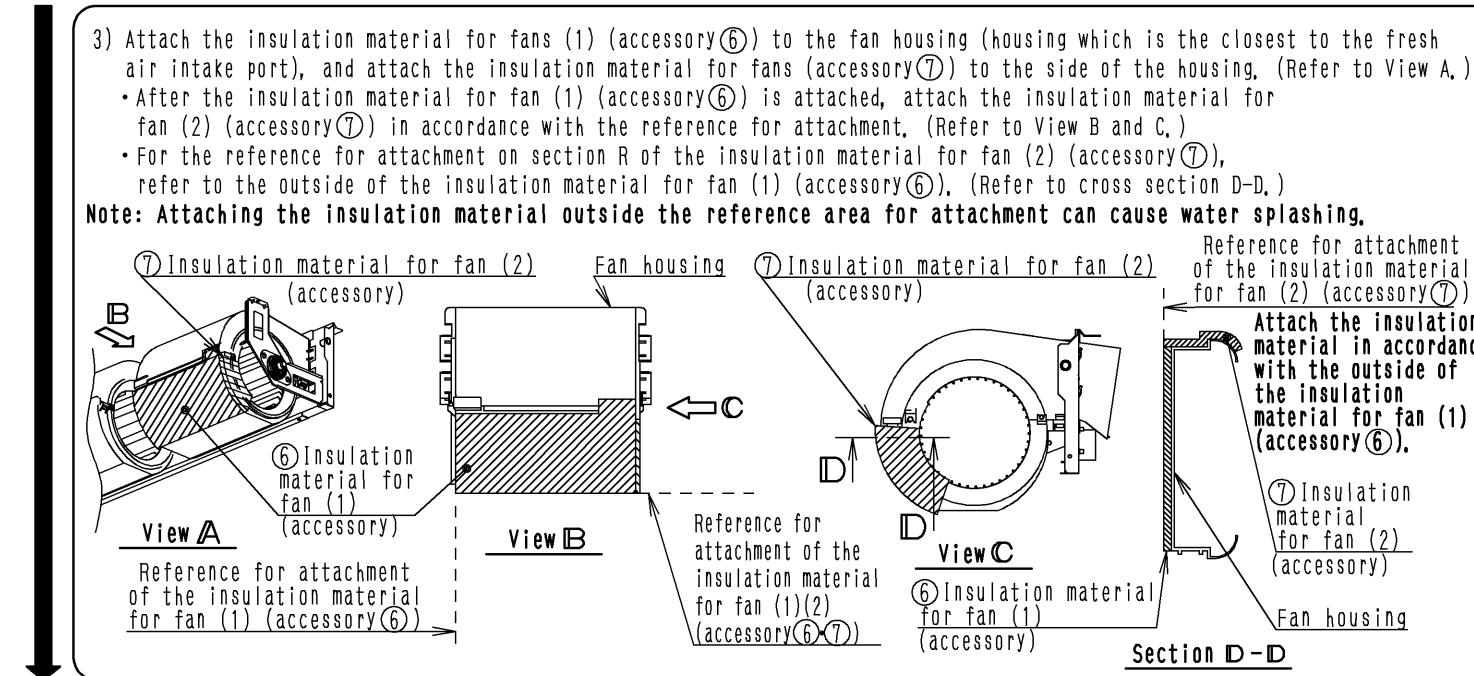
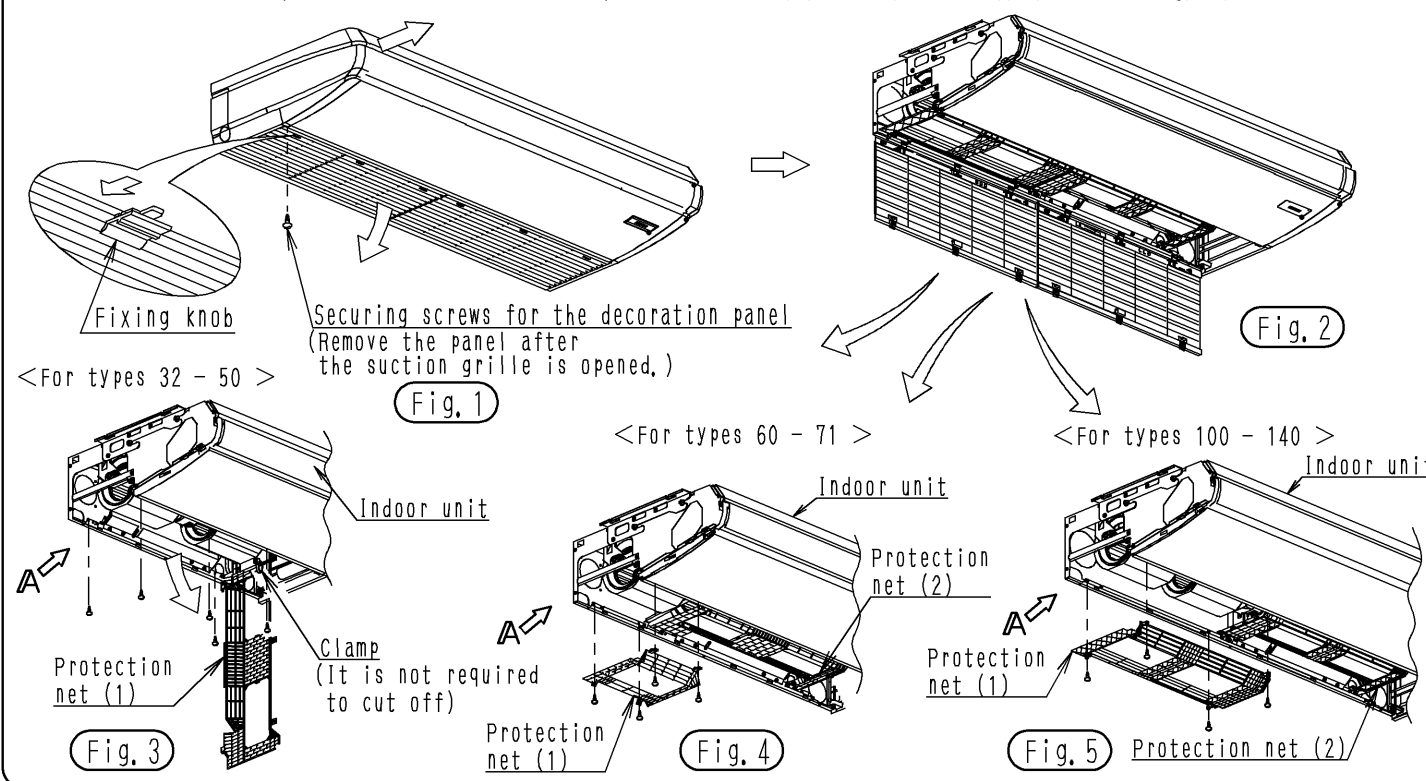
Components Check if the following parts are included with your kit.

Name	① Duct flange	② Air flow plate	③ Installation screw	④ Insulation material for the opening section of the main unit	⑤ Insulation material for duct flange	⑥ Insulation material for fan (1)	⑦ Insulation material for fan (2)	⑧ Installation manual
Quantity	1 pc.	1 pc.	4 pcs.	1 pc.	1 pc.	1 pc.	1 pc.	1 pc.
Shape								

Necessary tools for installation Robertson screwdriver, nippers, cutter, etc.

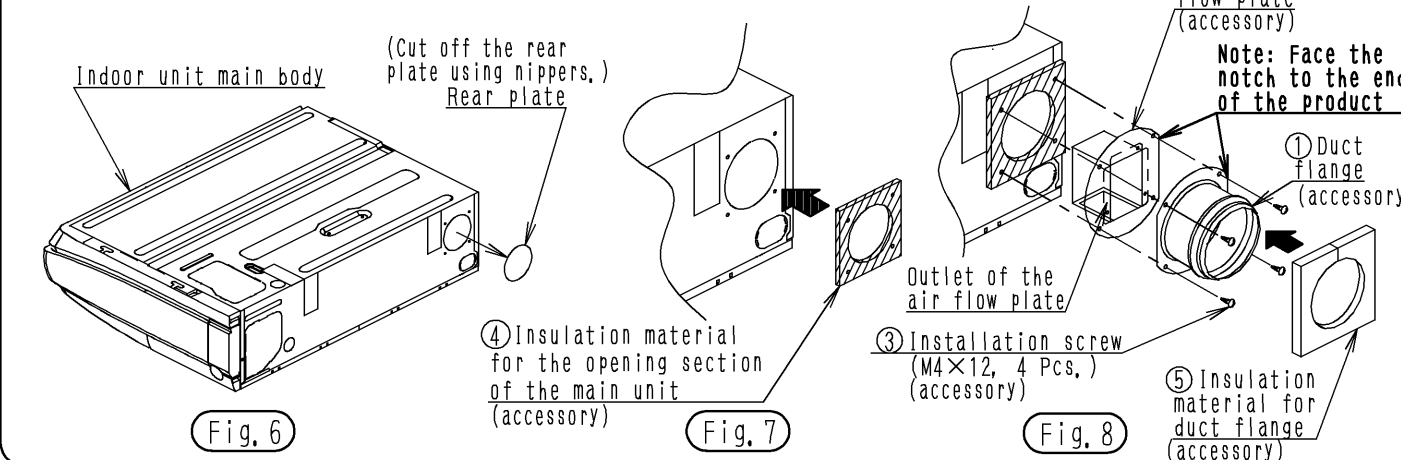
1 Preparations for installation

- 1) Open the suction grille of the indoor unit, and remove the decoration panel (left) from the unit.
 - Slide the fixing knobs (For types 32 - 50 : Each 2 places, For types 60 - 140 : Each 3 places) on the suction grille toward the rear (direction of the arrows), and open the suction grille. (Refer to Fig. 1 and 2)
 - After removing the securing screw (1 pc.) for the decoration panel (left), pull the panel forward in the direction of the arrows to remove it. (Refer to Fig. 1 and 2)
- 2) Remove the protection net.
 - Indoor units for types 32 - 50 : Remove the protection net (1), (5 screws) (Refer to Fig. 3) (It is not required to cut off the clamp fixing the protection net.)
 - Indoor units for types 60 - 71 : Remove the protection net (1) only (4 screws). (Refer to Fig. 4)
 - Indoor units for types 100 - 140 : Remove the protection net (1) only (4 screws). (Refer to Fig. 5)



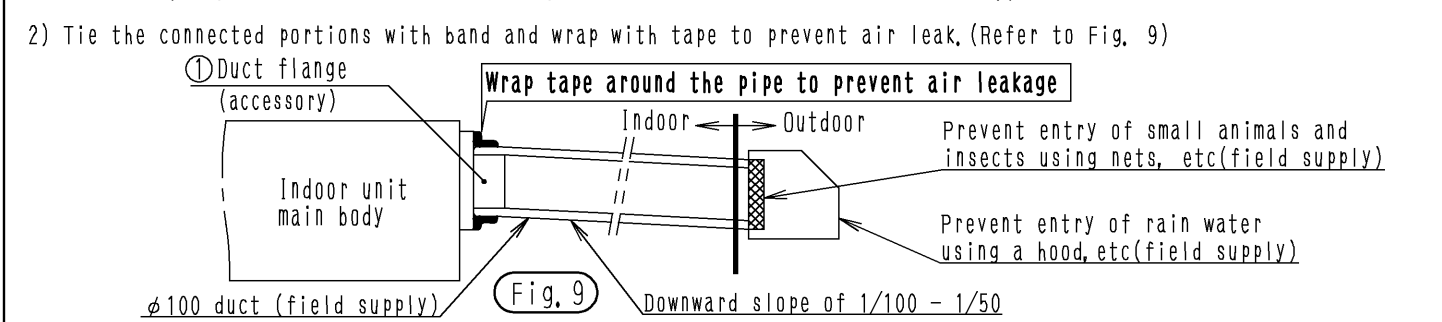
2 Installation of duct flange

- 1) Cut the rear plate of the indoor unit along the knock hole without damaging the plate. (Refer to Fig. 6)
- 2) Attach the insulation material for the opening section of the main unit (accessory ④) to the opening section. (Refer to Fig. 7)
- 3) Install air flow plate (accessory ②) and duct flange (accessory ①) on the opening section using the installation screws (M4 x 12, 4 pcs.) (accessory ③). After that, attach the insulation material for duct flange (5). (Refer to Fig. 8)
- 4) Install the protection net, decoration panel (left), and suction grille on their original positions.

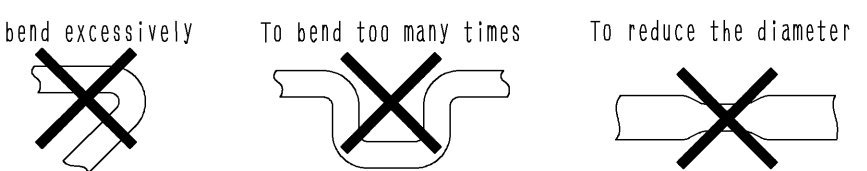


3 Connection of duct < Duct: Normal diameter $\phi 100$ >

- 1) Connect the duct to the outside of the duct flange. (Refer to Fig. 9)
- Caution** • At the outdoor side, install the duct inclined downwardly so that the rain will not get into the duct. (Inclination 1/100 - 1/50) (Penetration of water into the unit may result in leakage.)
- Where it contact the outside air, make sure to install screen to avoid birds, small animals or insects getting inside the duct. (Entry of small animals and insects may result in electric shock in the control box.)



- 2) Tie the connected portions with band and wrap with tape to prevent air leak. (Refer to Fig. 9)
- Caution**
- Insulate the duct to prevent condensate.
 - Do not perform the following duct work. (Right figure)



2P278019-1A

補用互換性: 有・無 INTERCHANGEABILITY: YES・NO	BR124305	12/10/17	松田
適用機種追加ニヨル ADDITION OF APPLICABLE MODEL NAMES			江川
補用互換性: 有・無 INTERCHANGEABILITY: YES・NO			MT004

KDDP50A160
据付説明書(新鮮空気取入キット)
INSTALLATION MANUAL

作図沿革 DESIGNED DAIKIN	設計 DESIGNED	尺度 SCALE	製図 DRAWN
承認 APPROVED	照査 CHECKED	設計 DESIGNED	製図 DRAWN
松田	大田	宮谷	MT004
作成日 DATE	YR 10. MO 09. DA 27	部品コード PART CODE	JA942500
2P278019A			

配布先
KON-S-0
オーケー

部番	塗装箇所	塗装種別	素地	工程	仕上色	艶	塗装(マタハ備考)	指示キ箇所/公差	TOLERANCE
ITEM	PLACE	PAINT	FOUND	PROCESS	COLOR	GLOSS	REMARK		NOT INDICATED